



**MODEL** TRIUMPH TIGER 800

**YEAR** 2011-->

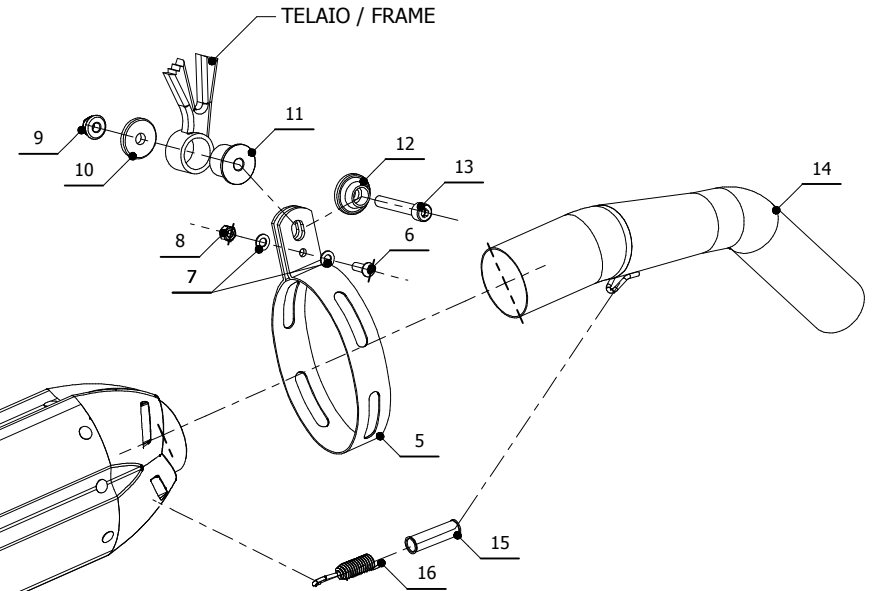
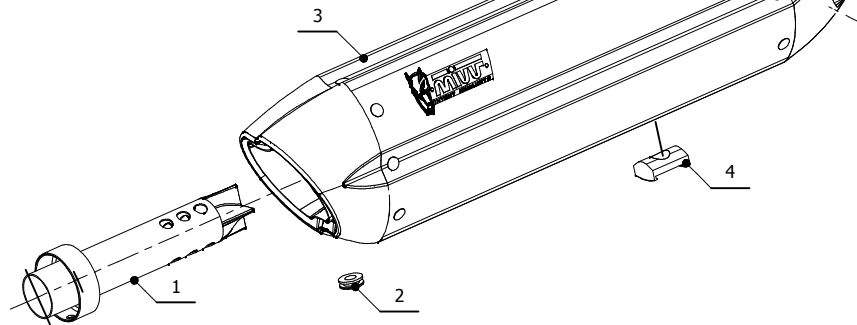
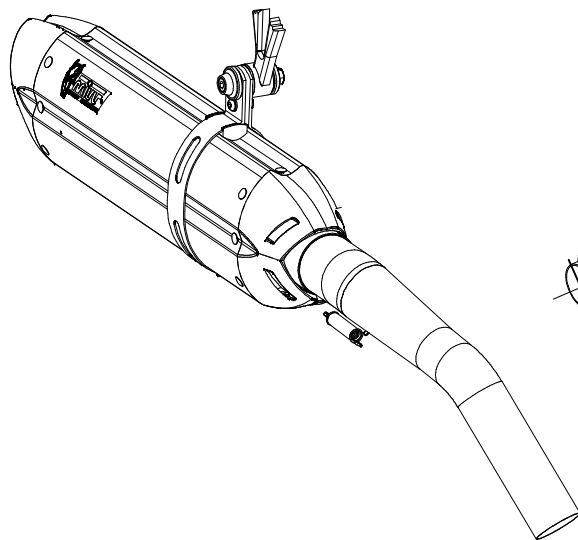
**LINE** SPORT

**MUFFLER** SUONO

**SCHEMATIC**

**ELENCO PARTI / PARTS LIST**

#	QTÀ / QTY	DESCRIZIONE / DESCRIPTION	CODICE / CODE
1	1	DB killer / DB killer	50.DK.070.0
2	1	Tappo in gomma / Rubber stopper	50.73.266.1
3	1	Silenziatore / Muffler	SUONO 380
4	2	Tassello grande / Rubber big block	50.73.203.1
5	1	Staffa in carbonio / Carbon fiber bracket	50.SS.256.1
6	1	Vite M6 x 16 / Screw M6 x 16	50.73.175.1
7	2	Rondella M6 / Washer M6	50.72.027.1
8	1	Dado M6 / Nut M6	50.73.146.1
9	1	Dado M8 flangiato / Flanged nut M8	50.73.393.1
10	1	Distanziale in alluminio / Aluminium spacer (Øe.30 Øi.8,5 h.5)	50.73.124.1
11	1	Bussola in alluminio / Aluminium bush	50.73.353.1
12	1	Rondella in alluminio nera / Black aluminium washer	50.73.221.1
13	1	Vite M8x50 / Screw M8x50	50.73.074.1
14	1	Tubo di raccordo / Link pipe	9773T011S2
15	1	Tubo in gomma per molla / Rubber pipe for spring	50.73.210.1
16	1	Molla corta / Short Spring	50.73.123.1



**APPLICAZIONI / APPLICATIONS**

CODICE / CODE	TUBO / PIPE	SILENZIATORE / MUFFLER	FASCETTA / CLAMP
T.011.L7	INOX / ST. STEEL	INOX (COPPE CARBONIO) / ST. STEEL (CARBON CAPS)	CARBONIO / CARBON FIBER
T.011.L9	INOX / ST. STEEL	STEEL BLACK	CARBONIO / CARBON FIBER