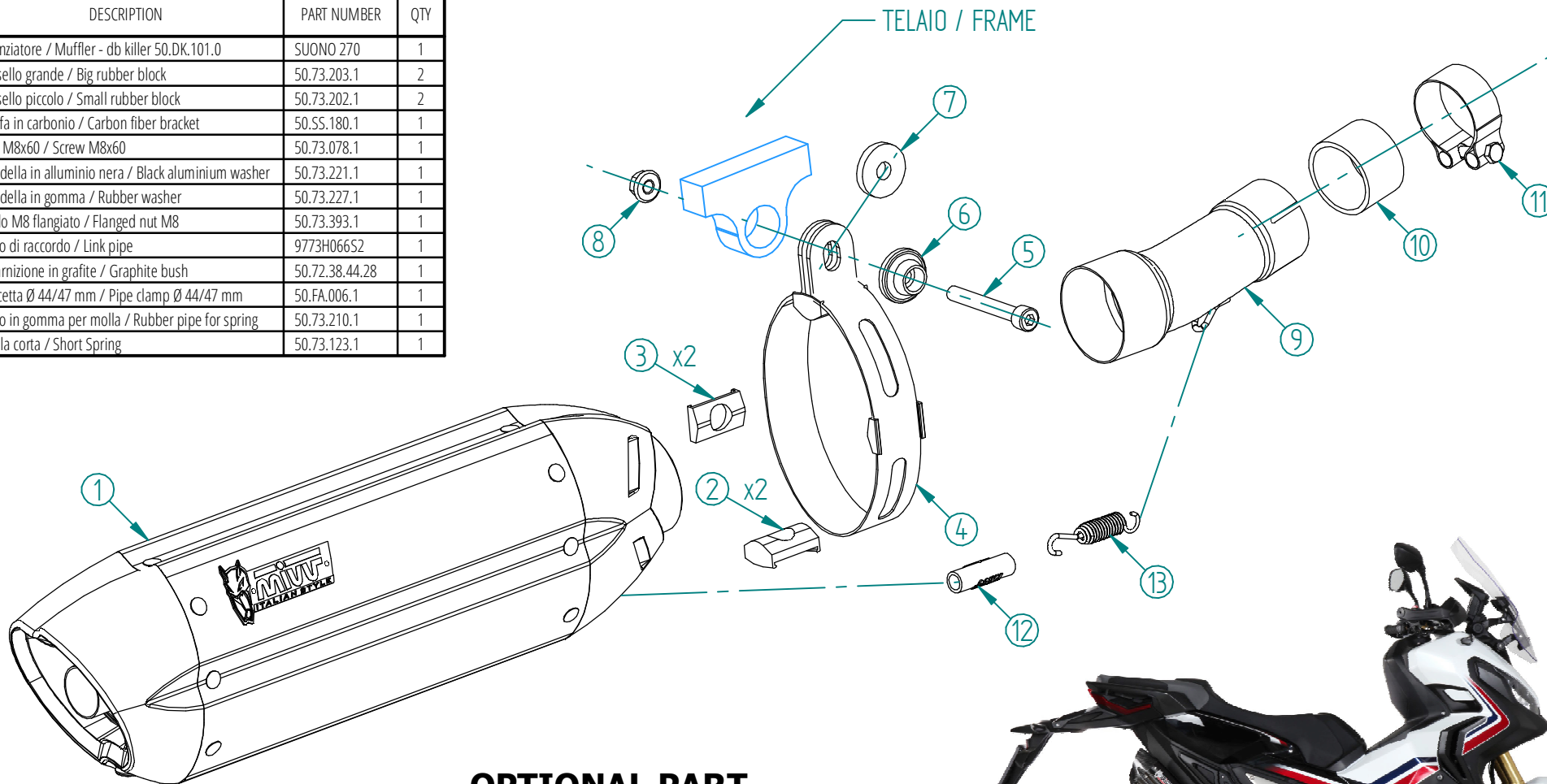


#	DESCRIPTION	PART NUMBER	QTY
1	Silenziatore / Muffler - db killer 50.DK.101.0	SUONO 270	1
2	Tassello grande / Big rubber block	50.73.203.1	2
3	Tassello piccolo / Small rubber block	50.73.202.1	2
4	Staffa in carbonio / Carbon fiber bracket	50.55.180.1	1
5	Vite M8x60 / Screw M8x60	50.73.078.1	1
6	Rondella in alluminio nera / Black aluminium washer	50.73.221.1	1
7	Rondella in gomma / Rubber washer	50.73.227.1	1
8	Dado M8 flangiato / Flanged nut M8	50.73.393.1	1
9	Tubo di raccordo / Link pipe	9773H06652	1
10	Guarnizione in grafite / Graphite bush	50.72.38.44.28	1
11	Fascetta Ø 44/47 mm / Pipe clamp Ø 44/47 mm	50.FA.006.1	1
12	Tubo in gomma per molla / Rubber pipe for spring	50.73.210.1	1
13	Molla corta / Short Spring	50.73.123.1	1



OPTIONAL PART
TUBO NO KAT - NO KAT PIPE
H.066.C1



- Monta con silenzatori MIVV e con scarico originale
- It fits both MIVV and genuine silencer



APPLICAZIONI / APPLICATIONS			
CODICE / CODE	SILENZIATORE / MUFFLER	TUBO / PIPE	FASCETTA / CLAMP
H.066.L9	STEEL BLACK (COPPE CARBONIO) / STEEL BLACK (CARBON CAPS)	INOX / ST. STEEL	CARBONIO / CARBON FIBER